



## QLD288 & QLD288X

2" 9 Watt & 11 Watt LED Square Gimbal Adj. Retrofit Kit

### PRODUCT DESCRIPTION

The Rouge Lighting **QLD288** 2" 9W LED and The **QLD288X** 2" 11W LED Square Gimbal Retrofit kit. It is compatible with Rouge Lighting 2Inch New Construction Housings, and Remodel Housings.



### DIMENSIONS

### PRODUCT SPECIFICATIONS

- White painted Diecast body is appropriate for heat dissipation.
- Oversized trim ring constructed from one-piece diecast.
- 3 Tension clips pre-installed on unit for easy installation.
- E26 medium screw-base Edison connector provides easy retrofit of incandescent housings.  
(GU10 and GU24 socket adaptor available - sold separately)

### LED LIGHT ENGINE

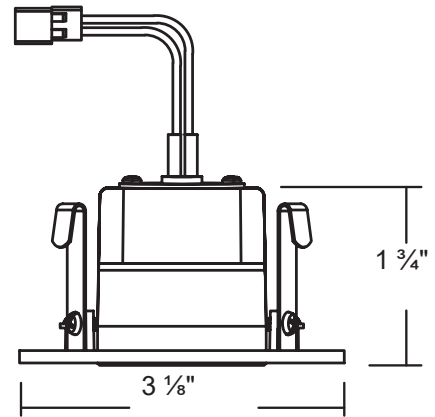
- Protected LED driver performs at 120V (120-277V available).
- Dimming down to 5% with most dimmers (at 120V only).
- CCT 2700K, 3000K, 4000K, 5000K available
- CRI ≥90
- Long life LED chips guaranteed up to 36,000 hours.

### WARRANTY

Guaranteed three years from the purchase date of the product, against mechanical defects in manufacturing.

### LISTINGS

- cULus classified
- Energy star qualified
- Title 24 compliant
- Wet locations (Not suitable for coastal/salt water area)
- Damp locations
- RoHS compliances
- Tested in accordance with IESNA LM79 & LM80



### PERFORMANCE DATA

	3 K	3 K
Input Voltage	120V	120V
Input Power	9W	11W
Frequency	50 / 60Hz	50 / 60Hz
Operation temp	-30 °C ~40 °C (-22 °F ~104 °F)	-30 °C ~40 °C (-22 °F ~104 °F)
Lumens	670	1100
CRI	≥ 90	≥ 90

TRIMS	CCT	FINISH
QLD288 2" LED Square Gimbal Adj. Retrofit Kit	27 2700K (660lm)	<b>BK</b> BLACK
	30 3000K (670lm)	<b>BZ</b> BRONZE
	40 4000K (770lm)	<b>SN</b> SATIN NICKLE
QLD288X 2" LED Square Gimbal Adj. Retrofit Kit	27 2700K (1040lm)	<b>WH</b> WHITE
	30 3000K (1100lm)	