

## QLD293 & QLD293X

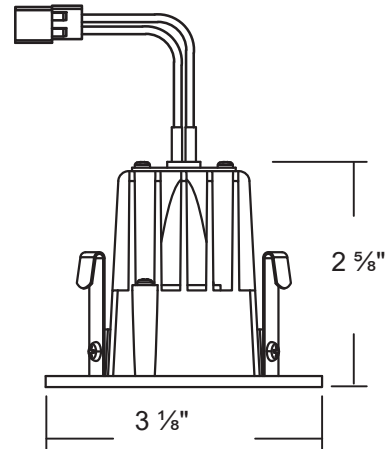
### 2" 9 Watt & 11 Watt LED Square Baffle Retrofit Kit

### PRODUCT DESCRIPTION

The Rouge Lighting **QLD293** 2" 9W LED and the **QLD293X** 2" 11W LED Square Baffle Retrofit kit. It is compatible with Rouge Lighting 2Inch New Construction Housings and Remodel Housings.



### DIMENSIONS



### PRODUCT SPECIFICATIONS

- White painted Diecast body is appropriate for heat dissipation.
- Oversized trim ring constructed from one-piece diecast.
- 3 Tension clips pre-installed on unit for easy installation.
- E26 medium screw-base Edison connector provides easy retrofit of incandescent housings.  
(GU10 and GU24 socket adaptor available - sold separately)

### LED LIGHT ENGINE

- Protected LED driver performs at 120V (120-277V available).
- Dimming down to 5% with most dimmers (at 120V only).
- CCT 2700K, 3000K, 4000K, 5000K available
- CRI ≥90
- Long life LED chips guaranteed up to 36,000 hours.

### WARRANTY

Guaranteed three years from the purchase date of the product, against mechanical defects in manufacturing.

### LISTINGS

- cULus classified
- Energy star qualified
- Title 24 compliant
- Wet locations (Not suitable for coastal/salt water area)
- Damp locations
- RoHS compliances
- Tested in accordance with IESNA LM79 & LM80

### PERFORMANCE DATA

	3K	3K
Input Voltage	120V	120V
Input Power	9W	11W
Frequency	50 / 60Hz	50 / 60Hz
Operation temp	-30 °C ~ 40 °C (-22 °F ~ 104 °F)	-30 °C ~ 40 °C (-22 °F ~ 104 °F)
Lumens	630	1050
CRI	≥ 90	≥ 90

TRIMS	CCT	FINISH
QLD293 2" LED Square Baffle Retrofit Kit	27 2700K (580lm) 30 3000K (630lm) 40 4000K (690lm)	BK BLACK BZ BRONZE SN SATIN NICKLE WH WHITE
QLD293X 2" LED Square Baffle Retrofit Kit	27 2700K (1000lm) 30 3000K (1050lm)	