

AVH852

8" LED Frame in Kit

PRODUCT DESCRIPTION

AVH8 is a 8" LED Frame Kit ≥ 90 .

Designed for commercial lighting, LED high lumen down light with deep cone reflector.

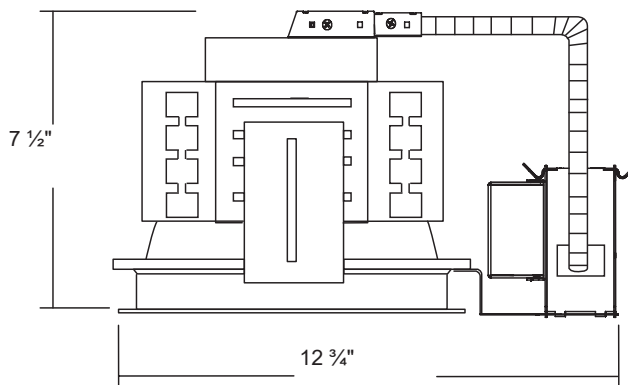
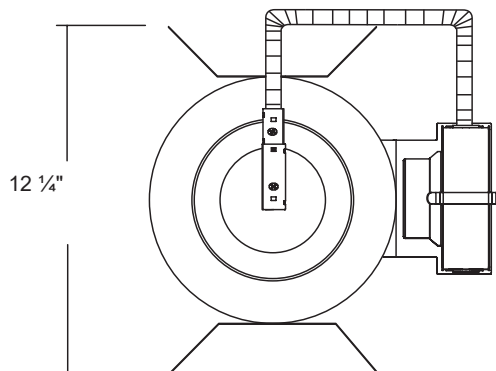
Ideal for both remodel or new construction applications.

LED driver accommodates 120V - 277V inputs with 0-10V dimming standard.

Long life LED chips guaranteed up to 35,000 hours.

SPECIFICATIONS/DIMENSIONS

AVH8



PRODUCT SPECIFICATIONS

Architectural Frame with C channel and flat hanger bars (ordered separately) for tie down to ceiling grids.

Junction Box mounted on the frame for easy wire access and driver installation and replacement.

Diecast aluminum heatsink dissipates heat from the LED board.

Self-flanged aluminum reflector with a frosted lens to shield direct view from LED

cULus Listed.

Meets state of California title 24 requirement.

WARRANTY:

Guaranteed three years from the purchase date of the product, against mechanical defects in manufacturing.

PERFORMANCE DATA

Input Voltage	120V / 277V
Frequency	50 / 60Hz
Operation temp	-30°C ~ 40°C (-22°F ~ 104°F)

SERIES	LUMEN	VOLTAGE	DIMMING	OPTIONS
AVH8				
AVH8 8" Architectural Frame Kit	40 40W 3090lm 48 48W 3640lm 52 52W 4530lm	blank 120/277V	blank 0-10V dimming	EM Emergency back-up OS Occupancy