



IC4LEDA

4" IC LED Dedicated Can New construction Housing



PRODUCT DESCRIPTION

Rouge Lighting **IC4LEDA** is designed for new construction installations and suitable for use in ceiling where the housing can be direct contact with insulation. Air tight construction reduces energy costs by reducing the amount of air leakages through the ceiling.

DIMENSIONS

PRODUCT SPECIFICATIONS

Plaster Frame

- Galvanized steel construction. The housing can be removed from plaster frame to provide access to the junction box.

Junction Box

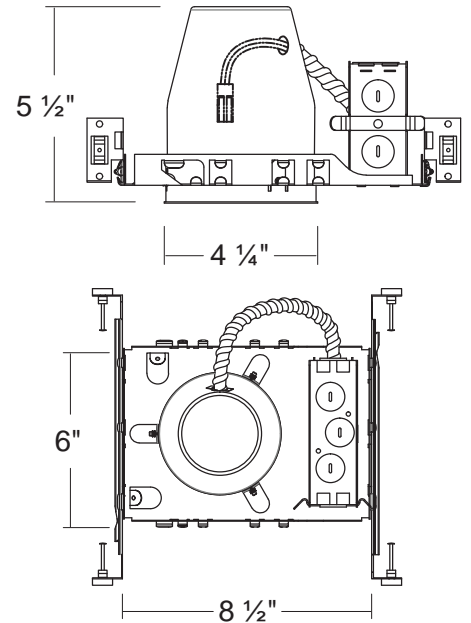
- Listed for through branch circuit wiring.
- Contains one 1-1/8" six 7/8" knockouts and four Romex pryouts with strain relief.

Bar Hanger

- Pre-installed Real nail easily installs in regular lumber, engineered lumber.
- Bar Hangers are adjustable from 13-5/8" to 25" and can be repositioned 90 degree on plaster frame.

Listings

- cULus Listed for Damp Location
- cULus Listed for Feed Through
- Certified under ASTM-E283 for Air tight construction
- Meets state of California title 24 requirement



HOUSING	TRIMS	CCT	FINISH	ACCESSORIES
IC4LEDA 4" New Construction IC Airtight Housing	R4B9 4" Baffle Retrofit Dimmable R4D9 4" Disk Fit To Housing Dimmable R4A9 4" Adj. Elbow Retrofit Dimmable R4F9 4" Flush Retrofit Dimmable R4G9 4" Gimbal Retrofit Dimmable R4S9 4" Smooth Retrofit Dimmable Q4B9 4" SQ Baffle Retrofit Dimmable Q4S9 4" SQ Smooth Retrofit Dimmable	27 2700K 30 3000K 345 3CCT	BK BLACK BZ BRONZE SN SATIN NICKLE WH WHITE	EM Emergency Ballast