



CVH6AW

6" LED Commercial Frame Housing w/adjustable Wattage and multiple color temperature

PRODUCT DESCRIPTION

Rouge Lighting Plus CVH6AW *Falcon Series* is a 6" LED Commercial Housing w/adjustable Wattage and multiple color temperature option. Its magnificent interchangeable module and reflector design makes it easy to choose the desired lumen out-put and color temperature for your projects. Designed for commercial lighting, LED high lumen down light with deep cone reflector. Ideal for new construction applications. LED driver accommodates 120V - 277V inputs with 0-10V dimming standard. CRI ≥80 or ≥90. Long life LED chips guaranteed up to 50,000 hours.



SPECIFICATIONS/DIMENSIONS

PRODUCT SPECIFICATIONS

Commercial Frame with bar hanger (Included) for tie down to ceiling grids.

Junction Box mounted on the frame for easy wire access and driver installation and replacement.

Die-cast aluminum heat-sink dissipates heat from the LED board.

Self-flanged aluminum reflector with a frosted lens to shield direct view from LED, Easy installation with Twist & Lock system and spring clip

3 CCTs / 3 Wattages selectable

0-10V dimming at 120/277V available

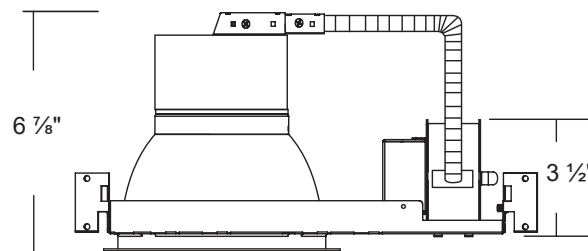
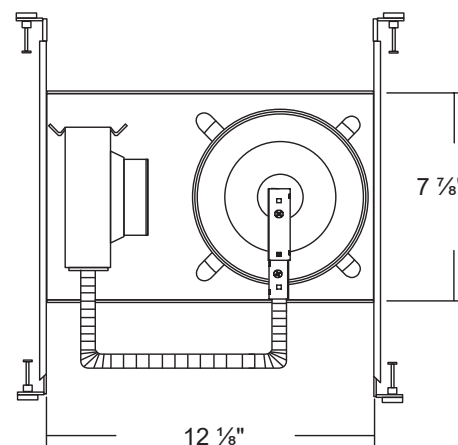
cULus Listed

Meets state of California title 24 requirement.

WARRANTY: Guaranteed 5 years from the purchase date of the product, against mechanical defects in manufacturing.

PERFORMANCE DATA

Input Voltage	120V / 277V
Frequency	50 / 60Hz
Operation temp	-30 °C ~40 °C (-22 °F ~104 °F)

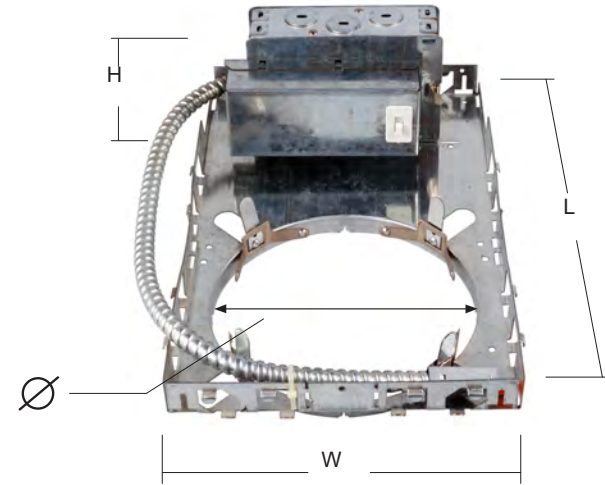


CVH6AW

6" LED Commercial Frame Housing w/adjustable Wattage and multiple color temperature

Commercial Frame Dimensions

Model NO.	Dimension (L x W x H)	Diameter \varnothing
CVH4-AW (4" Plaster Frame)	12-1/8" x 7-5/8" x 3-3/4"	4 3/4"
CVH6-AW (6" Plaster Frame)	12-1/8" x 7-5/8" x 3-3/4"	6 1/4"
CVH8-AW (8" Plaster Frame)	12-1/2" x 9" x 3-3/4"	7 7/8"
CVH10-AW (10" Plaster Frame)	13-5/8" x 13-1/8" x 4"	9 1/8"



HOUSING ORDERING INFORMATION

SERIES	LUMEN	VOLTAGE	DIMMING	OPTIONS												
CVH6																
CVH6 6" Commercial Frame Housing	<table border="1"> <tr> <td></td> <td>29W 2280lm</td> </tr> <tr> <td>AW</td> <td>39W 2885lm</td> </tr> <tr> <td></td> <td>48W 3340lm</td> </tr> </table>		29W 2280lm	AW	39W 2885lm		48W 3340lm	blank 120/277V	blank 0-10V dimming	<table border="1"> <tr> <td>EM</td> <td>Emergency ballast</td> </tr> <tr> <td>OS</td> <td>Occupancy</td> </tr> <tr> <td></td> <td></td> </tr> </table>	EM	Emergency ballast	OS	Occupancy		
	29W 2280lm															
AW	39W 2885lm															
	48W 3340lm															
EM	Emergency ballast															
OS	Occupancy															

REFLECTOR + LIGHT MODULE ORDERING INFORMATION

SERIES	REFLECTOR	MODULE	CCT	FINISH																																												
AVT																																																
AVT Commercial Trim	<table border="1"> <tr> <td>6</td> <td>6" Smooth Reflector</td> </tr> <tr> <td>8</td> <td>8" Smooth Reflector</td> </tr> <tr> <td>10</td> <td>10" Smooth Reflector</td> </tr> </table>	6	6" Smooth Reflector	8	8" Smooth Reflector	10	10" Smooth Reflector	<table border="1"> <tr> <td></td> <td>29W 2280lm</td> </tr> <tr> <td>AW</td> <td>39W 2885lm</td> </tr> <tr> <td></td> <td>48W 3340lm</td> </tr> <tr> <td></td> <td>35W 2810lm</td> </tr> <tr> <td>AW</td> <td>45W 3400lm</td> </tr> <tr> <td></td> <td>55W 3900lm</td> </tr> <tr> <td></td> <td>50W 3890lm</td> </tr> <tr> <td>AW</td> <td>60W 4430lm</td> </tr> <tr> <td></td> <td>70W 4910lm</td> </tr> </table>		29W 2280lm	AW	39W 2885lm		48W 3340lm		35W 2810lm	AW	45W 3400lm		55W 3900lm		50W 3890lm	AW	60W 4430lm		70W 4910lm	<table border="1"> <tr> <td></td> <td>3000K 80CRI</td> </tr> <tr> <td>83CT</td> <td>3500K 80CRI</td> </tr> <tr> <td></td> <td>4000K 80CRI</td> </tr> <tr> <td></td> <td>3000K 90CRI</td> </tr> <tr> <td>93CT</td> <td>3500K 90CRI</td> </tr> <tr> <td></td> <td>4000K 90CRI</td> </tr> </table>		3000K 80CRI	83CT	3500K 80CRI		4000K 80CRI		3000K 90CRI	93CT	3500K 90CRI		4000K 90CRI	<table border="1"> <tr> <td>HZ</td> <td>Haze</td> </tr> <tr> <td>WH</td> <td>White</td> </tr> <tr> <td>CW</td> <td>Chrome W/ White Rim</td> </tr> <tr> <td>HZHZ</td> <td>Haze W/ Haze Rim</td> </tr> </table>	HZ	Haze	WH	White	CW	Chrome W/ White Rim	HZHZ	Haze W/ Haze Rim
6	6" Smooth Reflector																																															
8	8" Smooth Reflector																																															
10	10" Smooth Reflector																																															
	29W 2280lm																																															
AW	39W 2885lm																																															
	48W 3340lm																																															
	35W 2810lm																																															
AW	45W 3400lm																																															
	55W 3900lm																																															
	50W 3890lm																																															
AW	60W 4430lm																																															
	70W 4910lm																																															
	3000K 80CRI																																															
83CT	3500K 80CRI																																															
	4000K 80CRI																																															
	3000K 90CRI																																															
93CT	3500K 90CRI																																															
	4000K 90CRI																																															
HZ	Haze																																															
WH	White																																															
CW	Chrome W/ White Rim																																															
HZHZ	Haze W/ Haze Rim																																															

HOUSING + REFLECTOR + LIGHT MODULE ORDERING INFORMATION

SERIES		LUMEN		VOLTAGE		DIMMING		CCT		FINISH	
CVH6											
CVH6	6" Commercial Frame Housing		29W 2280lm	blank	120/277V	blank	0-10V dimming		3000K 80CRI	HZ	Haze
		AW	39W 2885lm					83CT	3500K 80CRI	WH	White
			48W 3340lm						4000K 80CRI	CW	Chrome W/ White Rim
									3000K 90CRI	HZHZ	Haze W/ Haze Rim
								93CT	3500K 90CRI	OPTIONS	
									4000K 90CRI		
										EM	Emergency ballast
										OS	Occupancy

6 inch Reflector lumen output w/ 6", 8", 10" Modules in 80CRI

6" Reflector + 6" Light Module			
C C T	29 W	39 W	48 W
3000 K	2,180 lm	2,750 lm	3,250 lm
3500 K	2,340 lm	3,000 lm	3,570 lm
4000 K	2,280 lm	2,850 lm	3,340 lm
6" Reflector + 8" Light Module			
C C T	35 W	45 W	55 W
3000 K	2,710 lm	3,290 lm	3,830 lm
3500 K	2,920 lm	3,590 lm	4,190 lm
4000 K	2,810 lm	3,400 lm	3,900 lm
6" Reflector + 10" Light Module			
C C T	50 W	60 W	70 W
3000 K	3,850 lm	4,280 lm	4,860 lm
3500 K	4,010 lm	4,570 lm	5,120 lm
4000 K	3,890 lm	4,430 lm	4,910 lm

8 inch Reflector lumen output w/ 6", 8", 10" Modules in 80CRI

8" Reflector + 6" Light Module			
C C T	29 W	39 W	48 W
3000 K	2,240 lm	2,850 lm	3,420 lm
3500 K	2,410 lm	3,090 lm	3,710 lm
4000 K	2,340 lm	2,950 lm	3,480 lm
8" Reflector + 8" Light Module			
C C T	35 W	45 W	55 W
3000 K	2,700 lm	3,270 lm	3,760 lm
3500 K	2,910 lm	3,560 lm	4,120 lm
4000 K	2,800 lm	3,380 lm	3,900 lm
8" Reflector + 10" Light Module			
C C T	50 W	60 W	70 W
3000 K	3,870 lm	4,310 lm	4,900 lm
3500 K	4,020 lm	4,580 lm	5,150 lm
4000 K	3,920 lm	4,450 lm	4,980 lm

10 inch Reflector lumen output w/ 6", 8", 10" Modules in 80CRI

10" Reflector + 6" Light Module			
C C T	29 W	39 W	48 W
3000 K	2,240 lm	2,820 lm	3,340 lm
3500 K	2,400 lm	3,070 lm	3,670 lm
4000 K	2,330 lm	2,930 lm	3,440 lm
10" Reflector + 8" Light Module			
C C T	35 W	45 W	55 W
3000 K	2,760 lm	3,350 lm	3,910 lm
3500 K	2,970 lm	3,650 lm	4,250 lm
4000 K	2,870 lm	3,460 lm	3,950 lm
10" Reflector + 10" Light Module			
C C T	50 W	60 W	70 W
3000 K	3,890 lm	4,320 lm	4,940 lm
3500 K	4,050 lm	4,610 lm	5,200 lm
4000 K	3,950 lm	4,440 lm	5,010 lm

6 inch

Model No.	Description
CVI6M-83CT	6" LED commercial / Light Module / Heat sink / Twist lock / 29W, 39W, 48W / 3000 / 3500 / 4000K. Module unit Only.
CVI6S-HZ	6" Reflector / Haze Reflector / White ring / Spring clip / Twist lock . Trim Only.
CVI6S-HZHZ	6" Reflector / Haze Reflector / Haze ring / Spring clip / Twist lock. Trim Only.
CVI6S-WH	6" Reflector / White Reflector / White ring / Spring clip / Twist lock. Trim Only.
CVI6DR-3WT	6" LED Commercial / Driver / Flex. Connector / 120/277V / 0-10V Dimming / 29W, 39W, 48W. Driver Unit Only.
CVH6AW	6" LED Commercial / Plaster frame / Need Butterfly clip / Driver with Flex. Conduit connected to J-box directly / 2 power wires / No diecast connector 120/277V / 0-10V Dimming / 29W, 39W, 48W. Commercial Housing Only.
AVH6AW	6" LED Commercial / Architectural frame / Need Butterfly clip / Driver with Flex. Conduit connected to J-box directly / 2 power wires / No diecast connector 120/277V / 0-10V Dimming / 29W, 39W, 48W. Architectural Housing Only.
CVR6AW-6M-83CT-HZ	6" LED Commercial / Retrofit Assembly / Need Butterfly clip / Driver with Flex. Conduit connected to J-box directly / 2 power wires / No die-cast connector 120/277V / 0-10V Dimming / 29W, 39W, 48W Retrofit Unit Assembly Complete.

LIGHT MODULE (Selectable CCT)

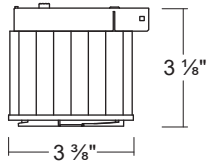


Features

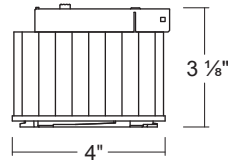
- Selectable CCT with built-in switch on the connector
- Effective heat dissipation with aluminum heat sink
- Assemble with Reflector use Twist lock
- Each size of light modules should be used with dedicated driver
- One light module allows for seamless integration of multiple reflector options with easy and tool-free installation.

Dimensions

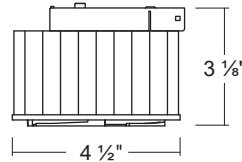
CVI4M-83CT (4")



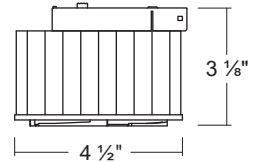
CVI6M-83CT (6")



CVI8M-83CT (8")



CVI10M-83CT (10")



REFLECTOR



With spring clip for retrofit



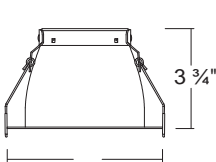
Without spring clip for frame w/driver
add -NC to the part number.

Features

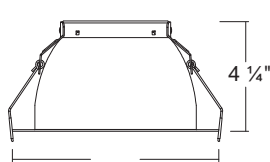
- Self-flanged aluminum reflector with spring clip
- Light Module is assembled into the reflector by Twist lock system
- Finish
 - HZW : Haze Reflector / White Ring
 - HZ : Haze Reflector / Haze Ring
 - WW : White Reflector / White Ring
 - CW : Clear Reflector / White Rin

Dimensions

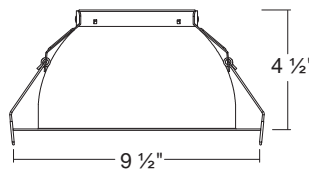
CVIT4S-XX (4")



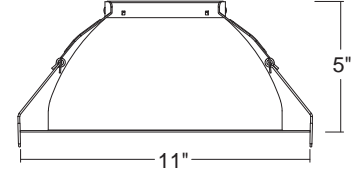
CVIT6S-XX (6")



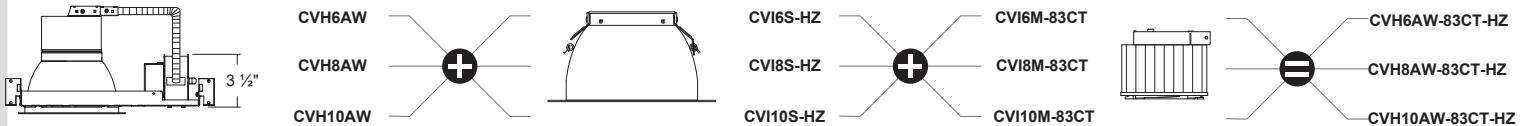
CVIT8S-XX (8")



CVIT10S-XX (10")

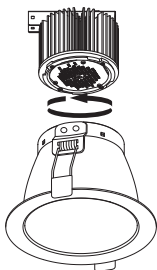


POSSIBLE COMBINATION (Housing + Reflector + Light Module)

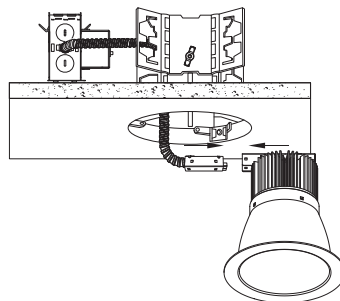


HOW TO ASSEMBLE (Frame / Retrofit / Light Module)

Reflector Assembly : Light Module + Reflector



Frame Assembly : Frame with Driver + Light Module + Reflector



Retrofit Assembly : Driver with J-Box (retrofit)+ Light Module + Reflector

