

SLFX-MWXXX-3CCT MULTIPLE WATTAGE & 3CCT SHOEBOX LIGHT FIXTURE



Rouge Lighting Plus **SLF** Series multiple wattage and 3CCT LED Outdoor Shoe-box fixture has High efficiency LED Driver with the wide range input voltage of AC100-277V or AC277-480V. It also has a Photocell Control option for efficient lighting purposes.



LED CHIP- maintains superior color consistency over time and temperature with our precise color management. Before delivery Every fixture is tuned as a complete system to the optimal color point, safeguarding fixture-to-fixture color consistency. High luminous efficiency and long life

HEAT SINK- Cast aluminium design, better cooling and easy replacement, light quality, LED Tj < 185° F

OPTICAL SYSTEM- Excellent optics design, greatly improve the light utilization and uniformity. Special designed rotatable lens, suitable for more applications.

CURRENT SUPERVISION- High quality driver, efficiency>86%, PF>0.9 are attached directly to the housing which keeps the engines cool. Our innovative current supervision system allows the light output of the LED engines to be maintained at 80% of initial lumen at Lifespan 50,000 hours of operation.

>**WARRANTY-** 5 YEARS LIMITED WARRANTY

LISTING- ULus & FCC listed; With LM79 & LM80

DIMMING- 0-10V dimming can be well compatible with all kinds of brand dimmers.

ELECTRICAL- High efficiency LED Driver, the wide range input voltage AC100-277V or AC277-480V.

MAINTENANCE- Extremely easy for installation. With surface mounted kit, free disassembly, simple and fast installation, save much time.

OPTIONS- Fixtures can be shipped installed with photocell, Motion sensor, and PIR option. Sensors can distinguish between natural and non-natural light.

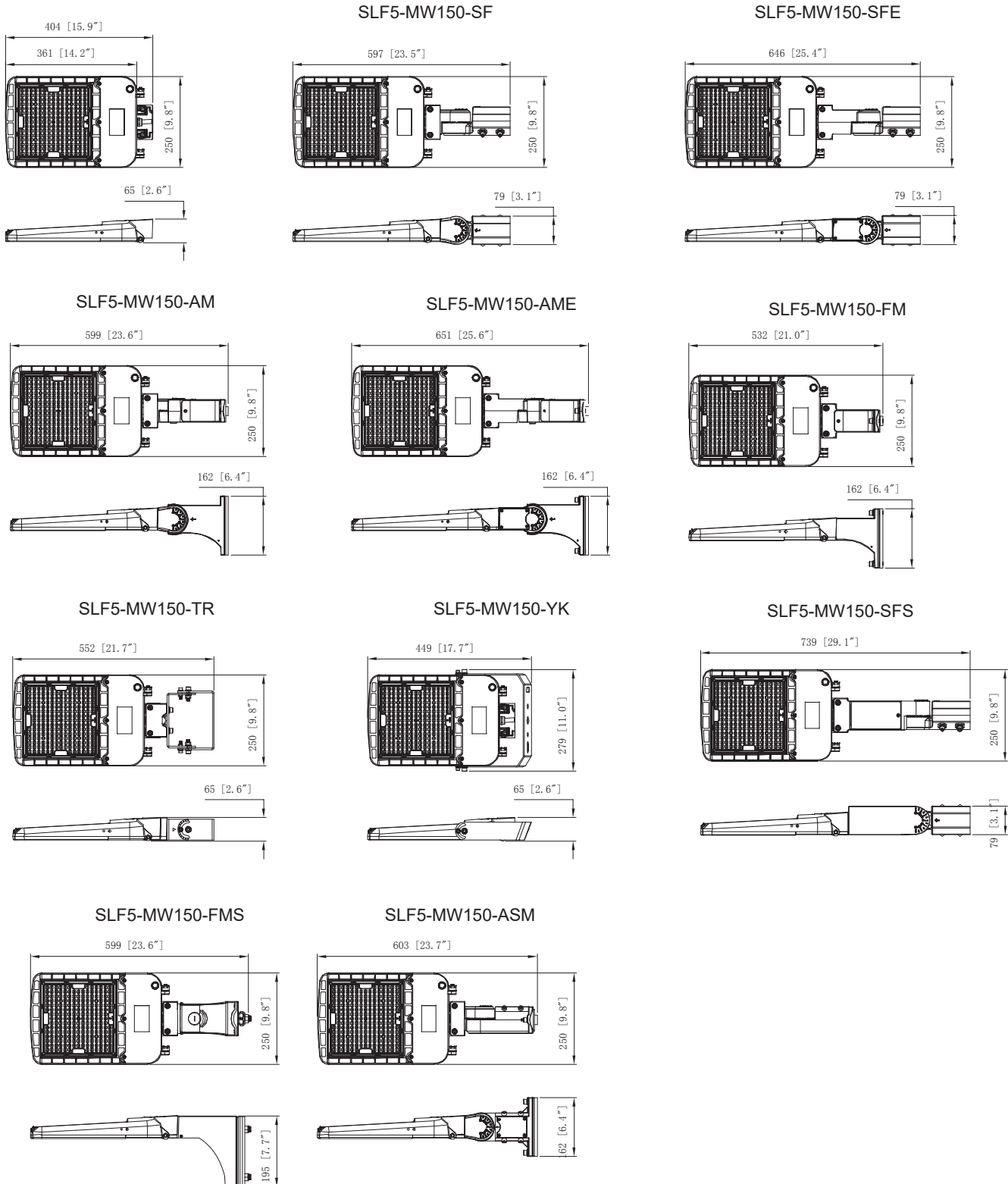
QUALITY CONTROL- Every fixture is tested and looked at before shipment.

ORDERING INFORMATION

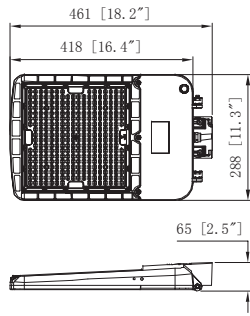
LUMINAIRE	LENGTH	OPTICS	WATTAGE	CONTROL OPTOINS	VOLTAGE	CRI	COLOR TEMP	MOUNT	FINISH	OPTIONS	
SLF - Shoebox Light Fixture	5 - 70W, 100W, 150W	blank - Type III-M 90° x 110°	MW150- 70W, 10W, 150W	blank - 0-10V dimming	blank - 120-277V	blank - 80CRI	3CCT - 3000K, 4000K, 5000K	SF - Slip Fitter	blank - Bronze	PC - Photocell	
	6 - 100W, 150W, 200	Type II	MW&\$-\$- FeeY Fi eY FeeY		480 - 277v-480V			SFE - Slip Fitter Ext. w/ Box	WH - White		MS - Microwave sensor
	7 - 150W, 200W, 240W 200W, 240W, 300W	Type IV-S Type V	MW&(\$-\$- Fi eY FeeY Fi eY		AM - Adj. Pole Mount			BK - Black	PIR - PIR SENSOR		
			MW30\$-\$- OEEY Fi eY FeeY				AME- Adj. Pole Ext. Mount w/ Box	MS - Matte Silver	PR - PR Motion sensor		
								FM - Fix pole Mount	GY - Gray	MSP - Micro w/Photocell	
								TR - Trunnion	GR - Green	PIP - PIR w/Photocell	
								YK - Yoke		SURGE - 6KA Surge Protection	
								ASM - 3in1 Adjustable, Fix and Slip fitter Mount with box	Custom finishes are Available		

Product Dimension

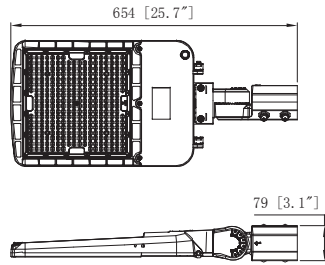
SLF5- 70W/100W/150W



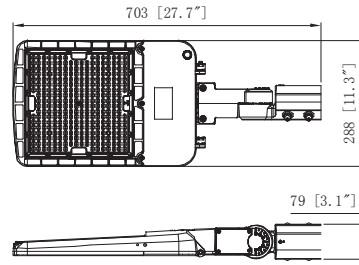
100W/150W/200W



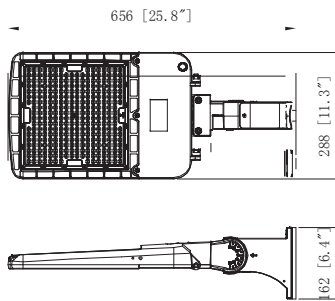
SLF6-MW200-SF



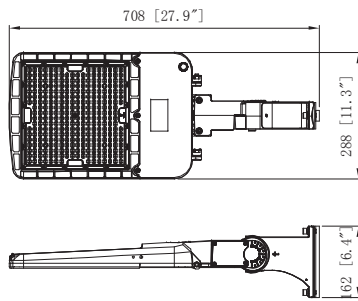
SLF6-MW200-SFE



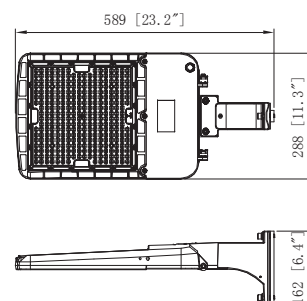
SLF6-MW200-AM



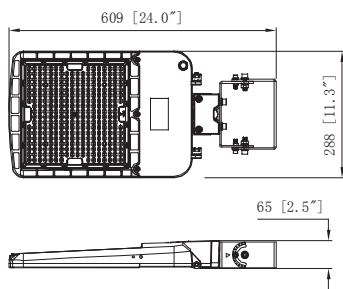
SLF6-MW200-AME



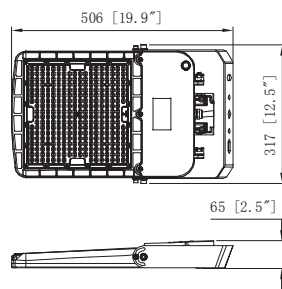
SLF6-MW200-FM



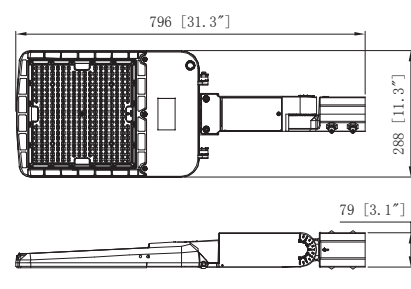
SLF6-MW200-TR



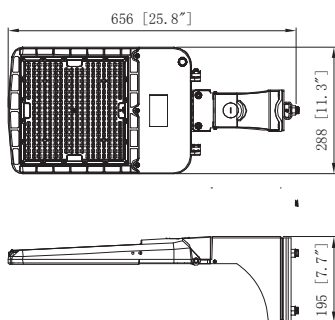
SLF6-MW200-YK



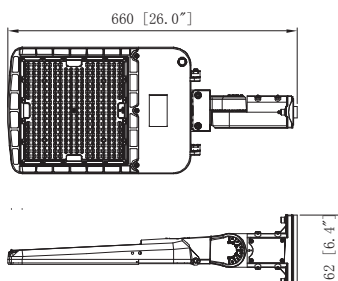
SLF6-MW200-SFS



SLF6-MW200-FMS

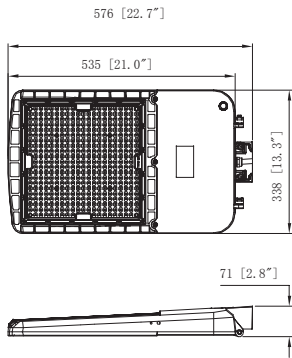


SLF6-MW200-ASM

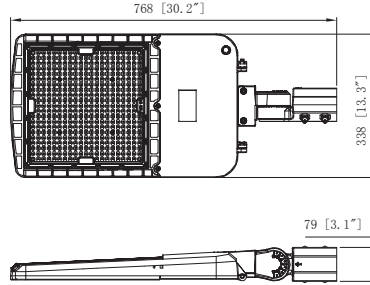


150W/200W/240W

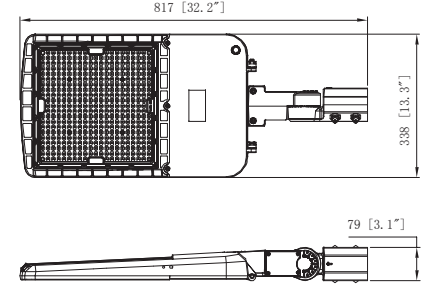
200W/240W/300W



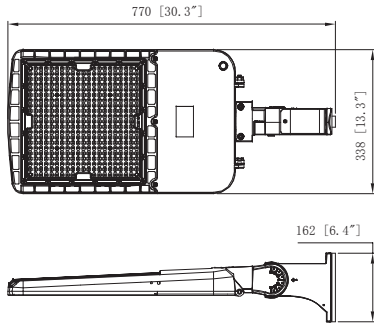
SLF7-MW240/MW300-SF



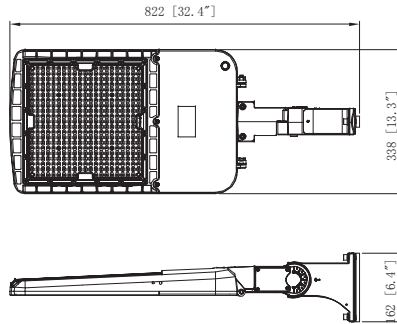
SLF7-MW240/MW300-SFE



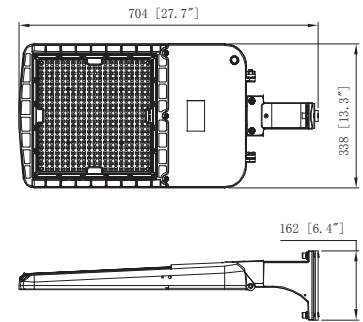
SLF7-MW240/MW300-AM



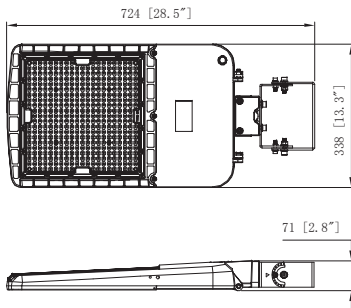
SLF7-MW240/MW300-AME



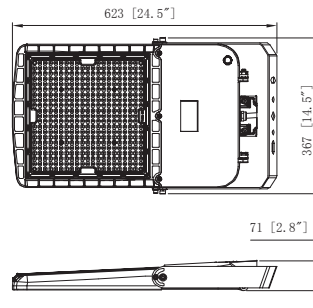
SLF7-MW240/MW300-FM



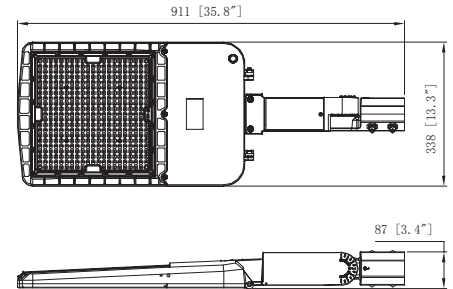
SLF7-MW240/MW300-TR



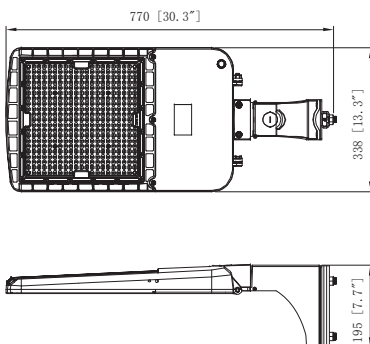
SLF7-MW240/MW300-YK



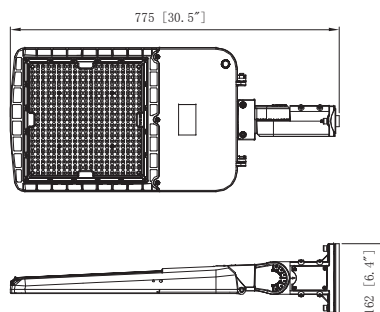
SLF7-MW240/MW300-SFS



SLF7-MW240/MW300-FMS












SLF7-MW240/MW300-ASM



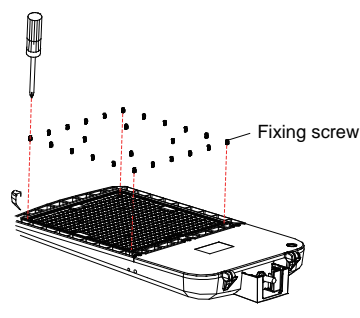
Lighting Parameters

Part No.	Input Voltage	Frequency	Power	Rated Current
SLF5-MW150-XX	AC100-277V	50/60Hz	150W	1.65A
SLF6-MW200-XX)			200W	2.2A
SLF7-MW240-XX)			240W	2.64A
SLF7-MW300-XX			300W	3.3A
SLF5-MW150-480-XX	AC277-480V	50/60Hz	150W	0.596A
SLF6-MW200-480-XX			200W	0.794A
SLF7-MW240-480-XX			240W	0.953A
SLF7-MW300-480-XX			300W	1.2A

Lamp Bead Model	SMD 3030		
Certificates	UL,CUL		
Lighting Angle	TYPE III-M / TYPE IV-S / TYPE V		
Lighting Efficiency	130Lm/W		
Color Rendering Index	Ra>80		
Working Temperature	-40°F ~+113°F / -40°C ~ +45°C		
Storage Temperature	-40 °F ~+158 °F / -40°C ~ +70°C		
Environment Location	WET LOCATIONS (IP65)		
Life span	>50000H		
Lamp shell	BROWN / BLACK		
Accessories options	Photocell; Shorting cap; Surge protector		
	PIR sensor; Motion sensor; Bluetooth sensor		
	Waterproof cover plate of photocell hole		
Accessories mounting brackets	SF 2.36" Slip-fitter 	SFE 2.36" Slip-fitter Extended w/ box 	AM (Square/Round Adjustable pole mount 
	AME (Square/Round Adjustable pole mount Extended 	FM (Square/Round Fix pole mount) 	TR Trunnion 
	YK Yoke 	SFS (Slip-Fitter w/ sensor opening 	FMS Fix pole mount w/ sensor opening 

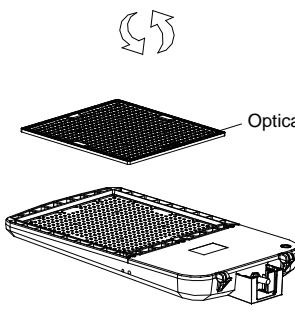
Operation Instruction of Rotating Optical Lens

Step 1. First loosen the screws on the lens screws (total 24PCS), as shown in the figure;



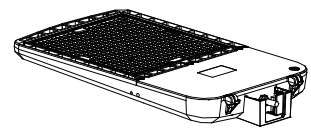
Fixing screw

Step 2. Remove the optical lens, rotate it clockwise or counterclockwise to a desired angle, as shown in the figure;



Optical lens

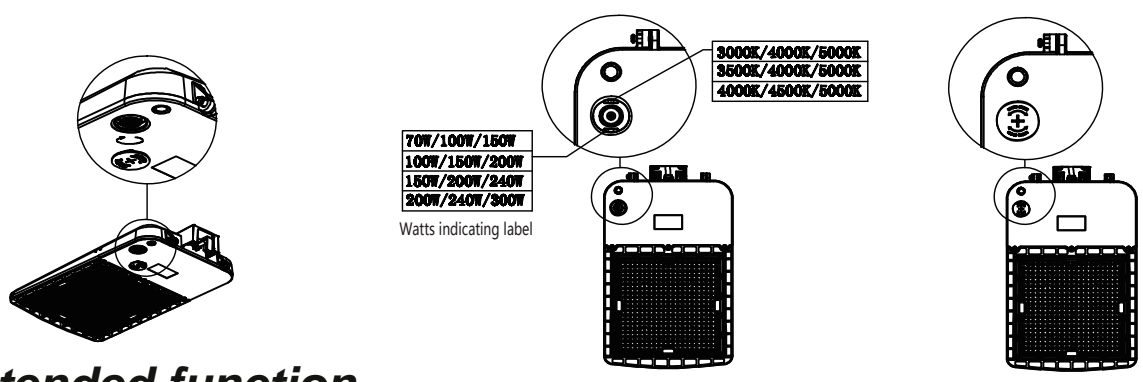
Step 3. Put back the adjusted optical lens, lock screws back, as shown in the figure.



Watts selected Operation Manual

Notes: CCT selectable only and Wattage selectable only versions are also available.

1. Take of the waterproof rubber cover from the wattage-box.
2. Select the wattage by using the slide switch.
3. Put back the waterproof rubber cover.

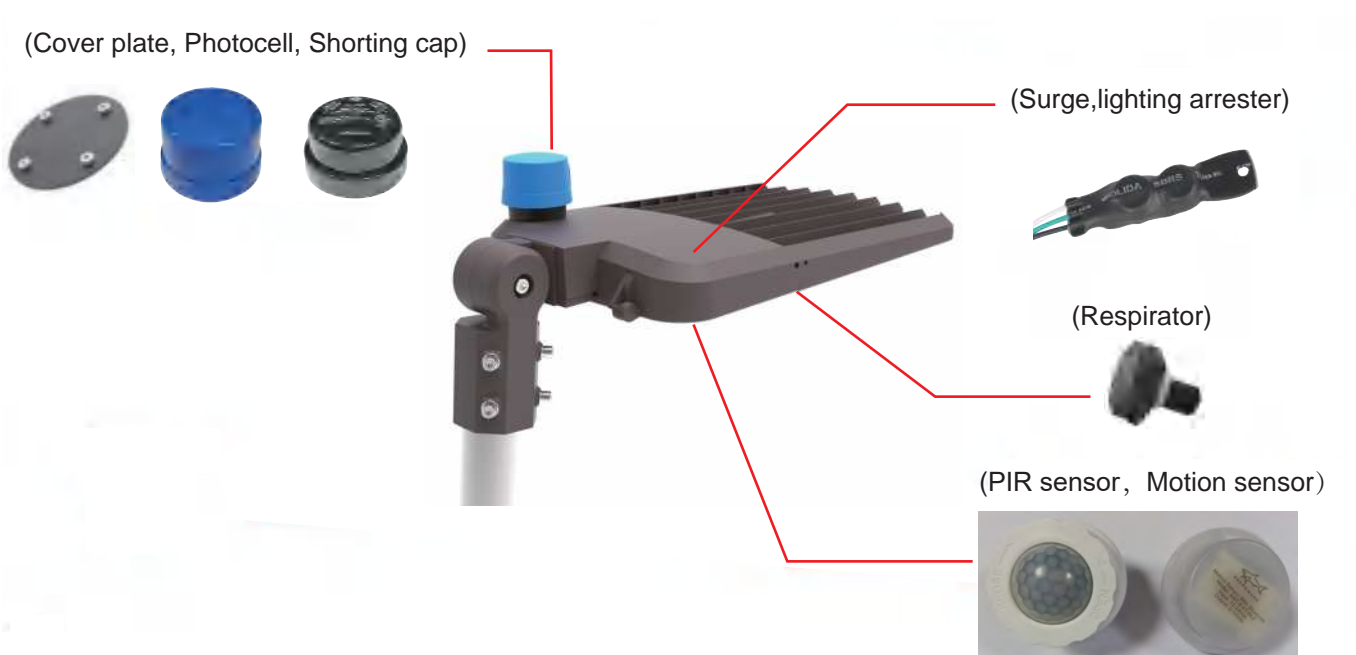


Watts indicating label

70W/100W/150W
100W/150W/200W
150W/200W/240W
200W/240W/300W

3000K/4000K/5000K
3500K/4000K/5000K
4000K/4500K/5000K

Extended function



(Cover plate, Photocell, Shorting cap)

(Surge, lighting arrester)

(Respirator)

(PIR sensor, Motion sensor)